

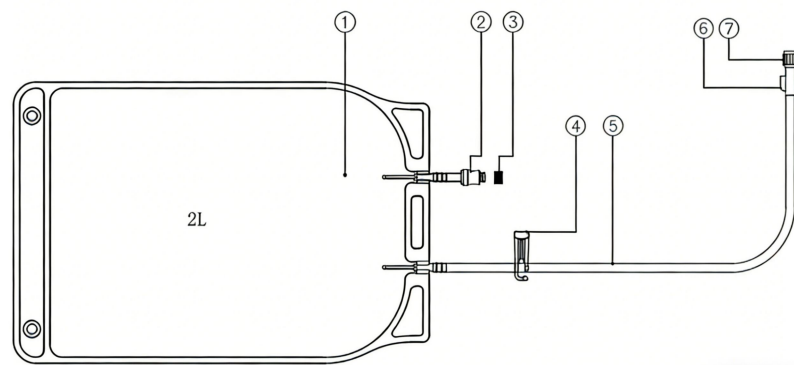
AirLite Cell Culture Bag (2L)

Product Name AirLite Cell Culture Bag (2L)

Cat. No. and Packaging Specification

| Cat. No. | Packaging Specification | Recommended Filling Volume Range |
|----------|-------------------------|----------------------------------|
| CS-AL-01 | 10 pcs/Bag | 200mL~2000mL |

Structure and Composition



The cell culture bag consists of ① PE bag body, ② PC silicone needle-free connector, ③ PP protective cap, ④ PP tube clamp, ⑤ PVC fluid infusion tube, ⑥ PP female Luer connector, and ⑦ PP male Luer protective cap.

Expected Use For the culture of suspension cells such as NK cells, α β -T cells, γ δ -T cells, CAR-T cells, and NKT cells.

Identity

The product shall be sterile.

The connectors comply with the standard of GB/T 1962.2-2001.

Endotoxin < 0.25EU/mL.

The PE bag appropriate gas permeability for O₂ and CO₂.

Sterilization Method This product is irradiation-sterilized

Storage conditions and shelf life Store the product at room temperature in a dry place, avoiding direct sunlight, high temperature and humidity. The validity period is 3 years, and the product is for single use only.

Instructions for use

1. Inspect the product for intact packaging and valid expiration date before use.
2. Open the packaging bag without contaminating the product.
3. Perform the fluid infusion operation in a Grade A clean environment, or conduct the closed fluid infusion operation in a Grade C clean environment.
4. Fluid replenishment operation:
 - 4.1 Place the cell culture bag fluid infusion stand upright on a clean workbench and ensure the bench is clean and free of sharp objects.
 - 4.2 Take a 50 ml syringe, pull out the plunger, and place the syringe barrel into the circular hole of the cell culture bag fluid infusion stand. Note: Do not let the Luer connector of the syringe barrel touch the fluid infusion stand.
 - 4.3 Unscrew the male Luer protective cap of the cell culture bag's fluid infusion tube and connect it to the Luer connector of the syringe barrel.
 - 4.4 Open the tube clamp of the fluid infusion tube and add cell suspension or culture medium into the syringe barrel. Close the tube clamp after all the cell suspension or culture medium has flowed into the cell culture bag.
 - 4.5 Unscrew the female Luer connector of the cell culture bag's fluid infusion tube that is connected to the syringe barrel, and screw on the male Luer protective cap of the fluid infusion tube.
 - 4.6 Place the cell culture bag into the incubator.

Transportation Requirements Transport the product at room temperature with protection against pressure, moisture and light; avoid direct sunlight and severe vibration.

Note

1. This is a sterile product for single use only; re-sterilization and reuse are prohibited.
2. Read these instructions carefully before use.
3. Inspect the integrity of the packaging before use; do not use the product if the packaging is damaged.
4. The product is made of materials with high flexibility and tensile strength, but physical scratches should be avoided during use. Do not contact the cell culture bag with sharp protrusions.
5. When moving the product into or out of the incubator, hold both ends of the cell culture bag and lift it up off the tray surface first. Do not drag the cell culture bag horizontally directly, to prevent scratches by the edge of the incubator tray during moving.
6. Use the product immediately after opening the packaging, and dispose of the used product in accordance with relevant regulations.
7. Do not use the product beyond its expiration date.
8. This product is for research use only.

Contact

Company Name: CellStore Biotechnology Co., Ltd.

Address: 5-101, Bldg. 10, No.6 Dongsheng Science and Technology Park North St. , Haidian Dist., Beijing, China.

Phone: +86-10-8217-0580

Email: marketing@cellstorebio.com

Website: www.cellstore-global.com

Effective date of the instruction manual April 10, 2026

